



# Austvision AlphaLink – Glass Balustrade Connector

The Austvision AlphaLink is a profiled glass link connector designed primarily for balustrade infill panels, pool fences and internal glass screens connected to posts and balusters.

The AlphaLink uses a simple technique of connecting TEMPAFLOAT® Toughened Safety Glass, SAFELITE® EVA or SAFELITE® STF (Sentry®) Toughened Laminated Safety Glass panels to a post or frame by means of a slotted fixing and pre-located M10 bolt and tightening nut. This avoids the need for welding tabs to the post and makes measuring and installation easier. It can also be adjusted for angle to address inaccuracies on site for floor levels and stair rakes.

## Key Features

- ▶ Easy to measure and install.
- ▶ Simple slotted fixing technique.
- ▶ Adjustable for stair rake.
- ▶ Suitable for 8mm toughened to 22mm laminated glass.
- ▶ Good corrosion resistance.
- ▶ Appealing “alpha” shape.
- ▶ Range of fitting options.

## Types:

The AlphaLink is available with 2 fixing options;

- ▶ SD50/150 – 50mm stepped disc glass bolt connector.
- ▶ CS50/150 – 50mm countersunk disc glass bolt connector.

## Material and Finish:

- ▶ The fittings are cast 316 marine grade stainless steel in satin and polished finish. Powdercoat options are available upon request.

## The system is glazed with Metro Performance Glass, as follows:

- ▶ Toughened Safety Glass
- ▶ Toughened Heat Soak Glass
- ▶ Toughened Screen Print Glass
- ▶ Toughened Digital Print Glass
- ▶ SAFELITE® EVA or SAFELITE® STF (Sentry®) toughened laminated structural glass



## Compliance

- ▶ The AlphaLink can be used in conjunction with glass panels selected from the Balustrade Design Tables in NZS 4223 accordance with design loads selected from AS/NZS 1170, and applied in accordance with B1/VM1 or B1/AS1, depending on which table is used from NZS 4223.

## Scope of Use


- ▶ The Austvision AlphaLink is a profiled glass link connector designed primarily for balustrade infill panels, pool fences and internal glass screens connected to posts and balusters.

## Support Inquiries

- ▶ Metro Technical phone (09) 927 3000 or email [technical@metroglass.co.nz](mailto:technical@metroglass.co.nz)

## Austvision Alphalink– System Fittings



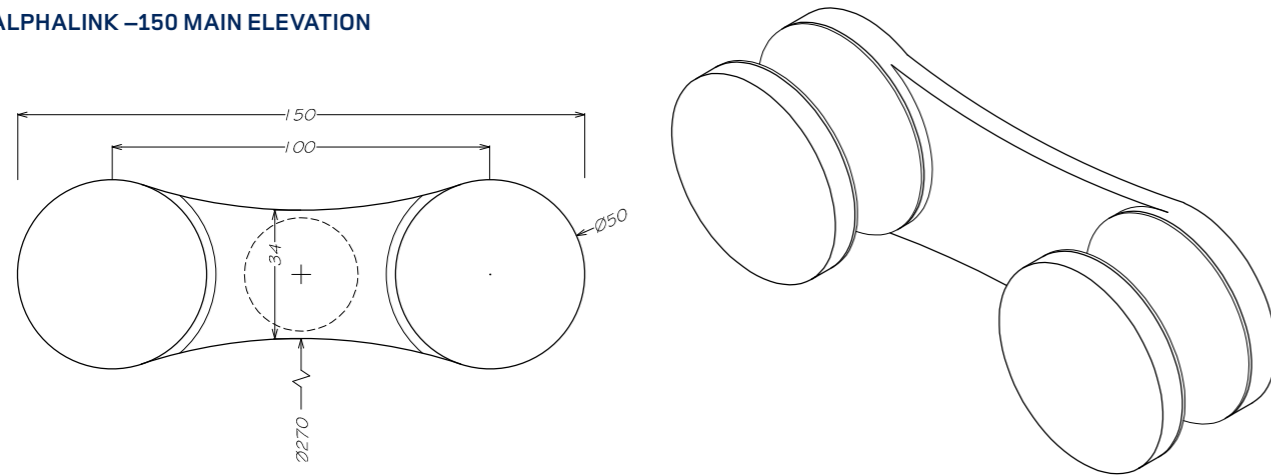
Product	Model	Sizes mm	Finish	Material	Type	Application	Area
	501221	SD50/150	SSS	316 STAINLESS STEEL	SPIDER	CONNECTION GLASS PANEL TO POST OR FRAME	Frameless Structural walls and facades
	501223	CS50/150	SSS				
	501220	SD50/150	PSS				
	501222	CS50/150	PSS				
		150x50mm dia.					

**NOTE:** Please specify glass thickness when placing an order.

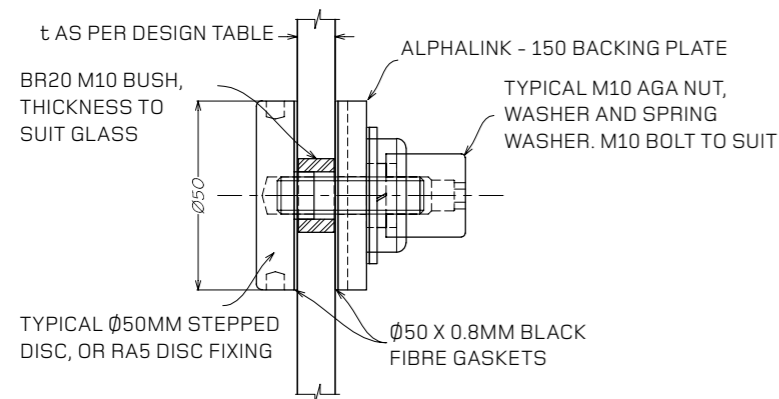
# SPIDER GLASS STAIRS AND FLOORS

## Austvision Alphaslink - Typical Fixing Details

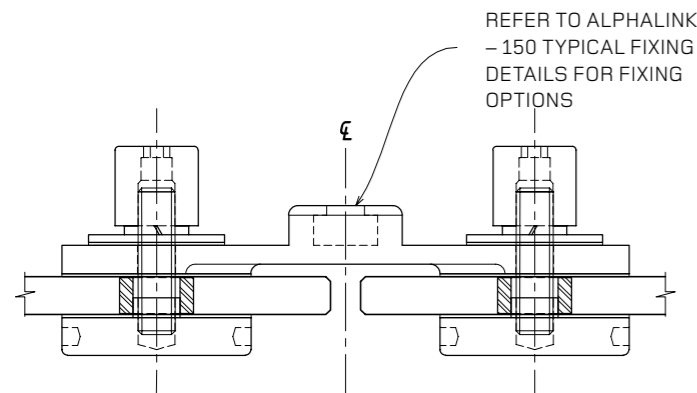
ALPHALINK -150 MAIN ELEVATION



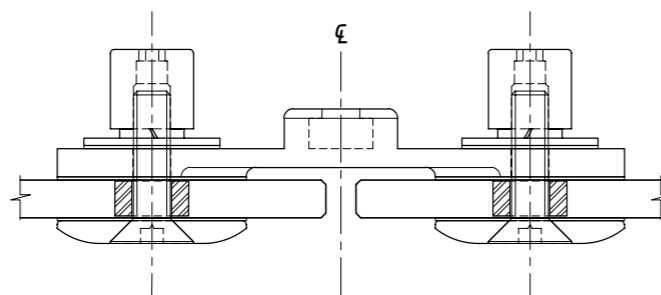
ALPHALINK -150 END ELEVATION



ALPHALINK -PLAN VIEW STEPPED DISC



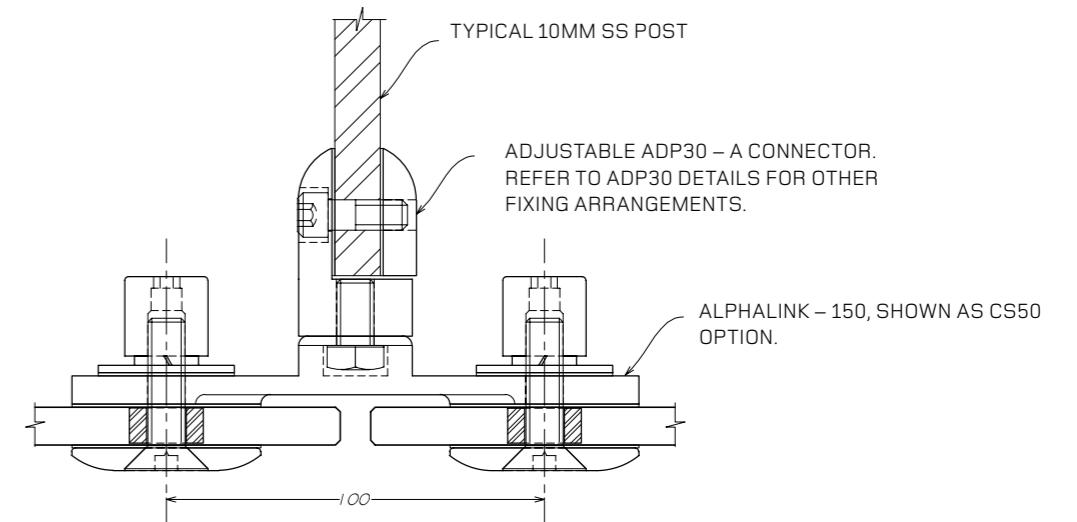
ALPHALINK -PLAN VIEW RA50 DISC



# SPIDER GLASS STAIRS AND FLOORS

## Austvision Alphaslink - Typical Fixing Details

ALPHALINK -150 APO FIXING OPTION



ALPHALINK -M10 THREADED ROD FIXING OPTIONS

